

## RAINHEAD ORDER FORM

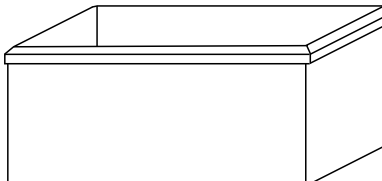
From (Customer's Name): .....

Deliver To (Name & Address): .....

Customer Order Number: ..... Date Placed: ..... Date Required: .....

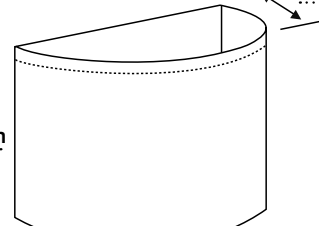
Order Placed By: ..... Contact Telephone No: .....

**1** Material: ..... Qty: .....



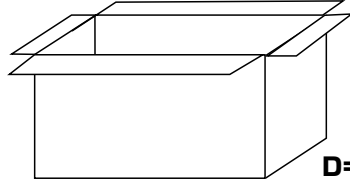
W= ..... mm  
D= ..... mm  
H= ..... mm

**2** Material: ..... Qty: .....



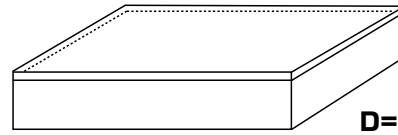
W= ..... mm  
D= ..... mm  
H= ..... mm

**3** Material: ..... Qty: .....



LIP= ..... mm  
W= ..... mm  
D= ..... mm  
H= ..... mm

**4** Material: ..... Qty: .....



W= ..... mm  
D= ..... mm  
H= ..... mm

**5** Material: ..... Qty: .....

**6** Material: ..... Qty: .....

### IMPORTANT -

Please read carefully before submitting your order

ENSURE MEASUREMENTS AND QUANTITIES ARE ACCURATE AND CORRECT. PPC FLASHINGS WILL NOT BE RESPONSIBLE FOR ANY ERRORS. PPC FLASHINGS CANNOT ADJUST MANUFACTURING TO REDUCE THERMAL EXPANSION - THIS IS A NATURAL OCCURING CHARACTERISTIC OF STEEL, COPPER, TITANIUM ZINC & ALUMINIUM PRODUCTS.

### MATERIAL HANDLING AND DELIVERIES

All products should be kept dry prior to installation. If wet, separate and dry immediately and always handle with care. (Delivery times are subject to change AND ARE AN ESTIMATE ONLY). Deliveries may be made from third-party suppliers and/or customers arranging their own collections are subject to their own timeframes and terms. ACS / PPC Flashings will not be liable for any delays or errors from third-party supplier deliveries. ACS/PPC Flashings will not be responsible for checking a customers order if the customer has arranged a third party pick up. All third party transport/customer collections are to be responsible for checking their own order quantities and material prior to leaving ACS/PPC Flashings yard and signing it off before leaving with the order.

NO CLAIMS RECOGNISED AFTER 7 DAYS - ALL MEASUREMENTS TO BE IN MILLIMETERS (MM) - TOLERANCE (MM): SHEET LENGTH +/- 7MM AND COVERING WIDTH +/- 7MM

### GENERAL DISCLAIMER

PPC Flashings recommend that any of our cladding products are installed by a qualified and experienced cladding installer for best results. All information supplied from our website and brochures is to be used as a guide only and for further technical support or advice, please contact our project team, prior to placing your order or any installation works.