

RAINHEAD ORDER FORM

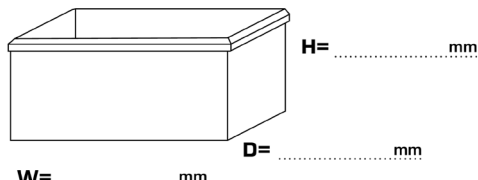
From (Customer's Name): Deliver To (Name & Address):

.....
.....

Customer Order Number: Date Placed: Date Required:

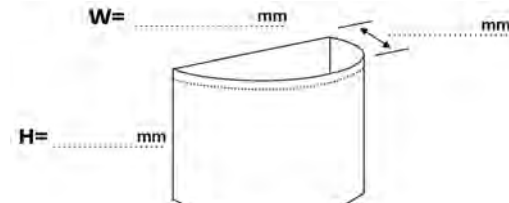
Order Placed By: Contact Telephone No:

1 Material: Qty:



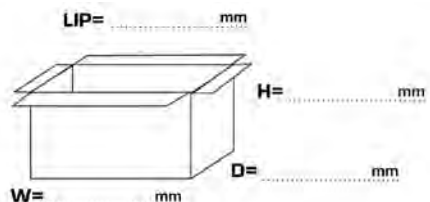
W= mm
D= mm
H= mm

2 Material: Qty:



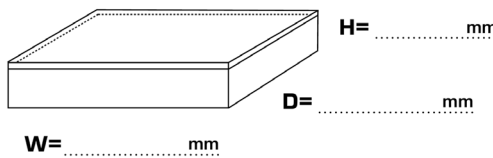
W= mm
H= mm

3 Material: Qty:



LIP= mm
W= mm
D= mm
H= mm

4 Material: Qty:



W= mm
D= mm
H= mm

5 Material: Qty:

6 Material: Qty:

IMPORTANT NOTICE TO CUSTOMERS

Please read carefully before submitting your order. Please ensure that measurements are accurate and correct. PPC Flashings will not be responsible for any errors as a result of an inaccurate or an incorrect order.

PRODUCT CHARACTERISTICS

Thermal expansion is a natural occurring characteristic of steel, copper, titanium, zinc and aluminium products. Therefore, PPC Flashings cannot adjust manufacturing processes to reduce thermal expansion.

MATERIAL HANDLING AND DELIVERIES

All products should be kept dry prior to installation. If product becomes wet, separate and dry immediately and always handle with care.

ESTIMATED DELIVERY TIMES

Delivery times are subject to change and times and dates are estimates only.

CLAIMS

PPC Flashings will not recognise claims after 7 days.

MEASUREMENTS

All measurements must be in millimetres and tolerances as follows:-

- SHEET LENGTH +/- 7MM AND
- COVERING WIDTH +/- 7MM

GENERAL TERMS AND CONDITIONS OF SALE AND SUPPLY

Please note that all product supplied by PPC Flashings are subject to PPC Flashings' Terms & Conditions of Sale and Supply which are incorporated by reference into every contract for the supply of Goods or Services. For our current Terms go to www.ppcflashings.com.au/termsandconditions

INSTALLATION

PPC Flashings recommends that our products are installed by a qualified and experienced installer for best results. For further technical support or advice, please contact our team, prior to placing your order or any installation works.

SIGNATURE

DATE